

42" NEO-ANGLE Shower Ensembles

DURAWALL® Shower Walls, DURABASE® Shower Floors & STYLEMATE® Enclosures



The dramatic look of a premium-quality NEO-ANGLE shower ensemble from E.L. Mustee & Sons, Inc., is the proven way to transform any bathroom space into something very special.



Mustee's 42" NEO-ANGLE shower ensembles are created using a DURABASE® shower floor, DURAWALL® shower walls and a STYLEMATE® enclosure. The large 42" NEO-ANGLE shower ensemble is perfect for anyone looking to create a dramatic, king-size shower space.

Features:

- High quality, molded-fiberglass construction provides years of service.
- DURAWALL® panels feature a sturdy, watertight tongue & groove design in addition to two large, molded-in shelves.
- Mounts direct-to-stud with mounting flanges hidden behind drywall or other wall treatment.
- STYLEMATE® enclosure with tempered safety glass, a continuous-pull handle and magnetic seal.
- DURABASE® fiberglass shower floors are strong, stable and feature a slip-resistant Starburst® floor surface design.
- All surfaces are mold/mildew resistant, easy to clean, with a deep-gloss finish.

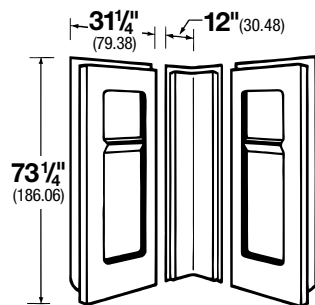
Code Accepted:

Fiberglass Shower Ensembles meet or exceed performance requirements:

- American Society of Testing and Materials (ASTM) — D 635, E-84 and E-162
- American National Standards Institute (ANSI) — Z 124.1.2 and Z 97.1
- IAPMO® as indicated 
- Warnock Hersey® as indicated 

Specifications

General: Furnish and install per plans, 42" NEO-ANGLE shower, manufactured by E.L. Mustee & Sons, Inc., consisting of:

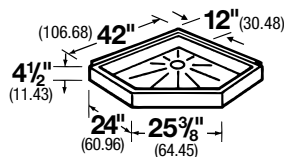


DURAWALL® SHOWER WALL

Model	Color
742CWHT	White



DURAWALL® Shower Wall — Model _____ shall be semi-gloss, 3-piece wall. Panels are molded fiberglass, using matched metal molds under extreme heat and pressure with a minimum uniform thickness of 125 mils and mount direct-to-studwalls. Include corner panel and two side panels with two molded-in shelves. Self-aligning panels using a tongue-and-groove connection. Shall meet ANSI Specification Z 124.1.2. Color _____ (White).



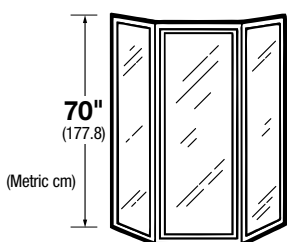
DURABASE® SHOWER FLOOR

Model	Color
4242CM	White



Center lines:
23 1/2" x 24 3/8" x 23 1/2"

DURABASE® Shower Floor — Model _____ floor to be one-piece, molded fiberglass, made with matched metal molds. Surface to be slip-resistant Starburst® design that does not interfere with the flow of water. Size 42" x 42". Shoulder will be no less than 3" high or less than 1" wide. Tiling flange will extend not less than 1" higher than the threshold which provides an integral molded water barrier. Threshold will be not less than 4 1/2" high. Molded-in drain and drain seal for installation of 2" iron DWV (Sch. 40) PVC or ABS sanitary drain pipe. Removable strainer. Shall meet ANSI Specification Z 124.1.2. Color _____ (White).



STYLEMATE® ENCLOSURE

Model	Finish/Type Glass
42.750	Chrome/Obscure
42.751	Chrome/Clear
42.752	Brushed Nickel/Clear
42.753	Oil-Rubbed Bronze/Clear

STYLEMATE® Enclosure — Model _____ with _____ (Chrome, Brushed Nickel, Oil-Rubbed Bronze) finish aluminum frame. Safety glass panels shall be _____ (Clear or Obscure) tempered glass. Side-wall jambs adjust 3/4" for out-of-plumb walls. Reversible pivot door with continuous-pull handle and magnetic seal. Door can be hung to open left or right. Shall meet ANSI Specification Z 97.1.

36" Corner Shower Ensembles

DURAWALL® Shower Walls, DURABASE® Shower Floors & STYLEMATE® Enclosures



Want to add some design flair to any new or existing bathroom? Then consider the drama that can be created by a large, 36" premium-quality corner shower ensemble from E.L. Mustee & Sons, Inc.



Mustee's corner shower ensembles are created using DURAWALL® shower walls, a DURABASE® shower floor and a STYLEMATE® double threshold enclosure.

Features:

- High quality, molded-fiberglass construction provides years of service.
- DURAWALL® panels feature a sturdy, watertight tongue & groove design in addition to two large, molded-in shelves.
- Mounts direct-to-stud with mounting flanges hidden behind drywall or other wall treatment.
- STYLEMATE® double-threshold enclosure with clear, tempered safety glass, a continuous-pull handle and magnetic seal.
- DURABASE® fiberglass shower floors are strong, stable and feature a slip-resistant Starburst® floor surface design.
- All surfaces are mold/mildew resistant, easy to clean, with a deep-gloss finish.

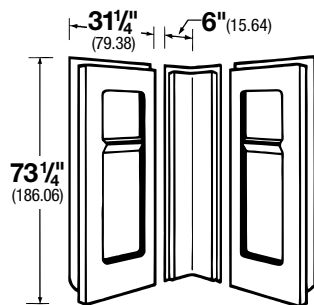
Code Accepted:

Fiberglass Shower Ensembles meet or exceed performance requirements:

- American Society of Testing and Materials (ASTM) — D 635, E-84 and E-162
- American National Standards Institute (ANSI) — Z 124.1.2 and Z 97.1
- IAPMO® as indicated 
- Warnock Hersey® as indicated 

Specifications

General: Furnish and install per plans, 36" corner shower, manufactured by E.L. Mustee & Sons, Inc., consisting of:

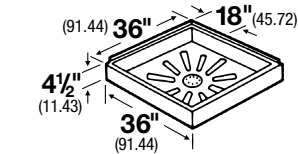


DURAWALL® SHOWER WALL

Model	Color
736CWHT	White



DURAWALL® Shower Wall — Model 736C shall be semi-gloss, 3-piece wall. Panels are molded fiberglass, using matched metal molds under extreme heat and pressure with a minimum uniform thickness of 125 mils and mount direct-to-studwalls. Include corner panel and two side panels with two molded-in shelves. Self-aligning panels using a tongue-and-groove connection. Shall meet ANSI Specification Z 124.1.2. Color: White.

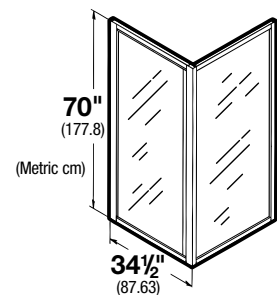


DURABASE® SHOWER FLOOR

Model	Color
3636DTM	White



DURABASE® Shower Floor — Model 3668DTM floor to be one-piece, molded fiberglass, made with matched metal molds. Surface to be slip-resistant Starburst® design that does not interfere with the flow of water. Size 36" x 36". Shoulder will be no less than 3" high or less than 1" wide. Tiling flange will extend not less than 1" higher than the threshold which provides an integral molded water barrier. Threshold will be not less than 4 1/2" high. Molded-in drain and drain seal for installation of 2" iron DWV (Sch. 40) PVC or ABS sanitary drain pipe. Removable strainer. Shall meet ANSI Specification Z 124.1.2. Color White.



STYLEMATE® ENCLOSURE

Model	Finish/Type Glass
36.202	Chrome/Clear

STYLEMATE® Enclosure — Model 36.202 with chrome finish aluminum frame. Safety glass panels shall be clear tempered glass. Side-wall jambs adjust 3/4" for out-of-plumb walls. Reversible pivot door with continuous-pull handle and magnetic seal. Door can be hung to open left or right. Shall meet ANSI Specification Z 97.1.

To reorder, specify ADV-495

Notice: Our continuous commitment to product improvement may result in changes to product specifications without notice. Patented and patents pending. ADI/8-13/NM. Made and Printed in U.S.A.