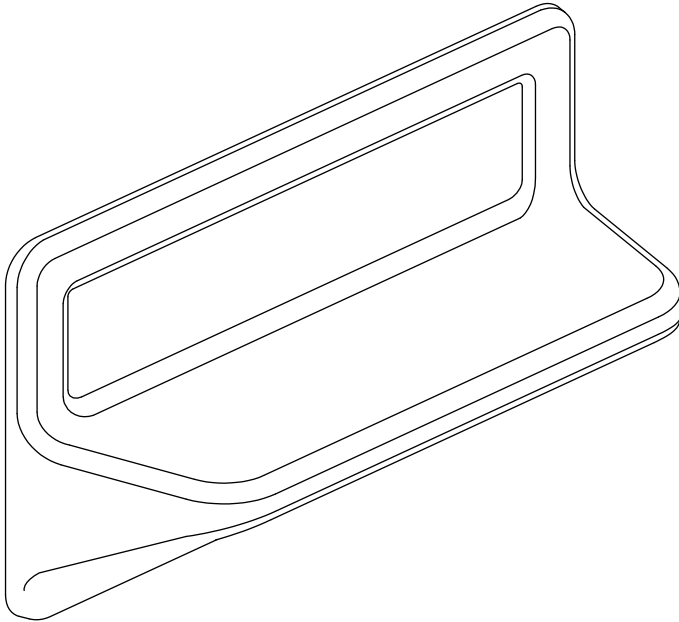


MODEL 572.300 VARISTONE™ SHELF



TOOLS AND MATERIALS NEEDED:

- Rubbing Alcohol
- Level
- Pencil
- Caulking Gun
- Caulking for Tub and Shower Surrounds
- Tape Measure
- Clean Cloth
- Drill Bit .25 Dia.
- Drill
- Silicone Adhesive/Sealant for Tub and Shower Surrounds
- 1 1/2" x 1 1/2" Angle Support - Supplied
- Plastic Wall Anchors - Supplied

NOTICE: Be sure to thoroughly read & understand instructions before attempting installation.

CARE & CLEANING:

The surface of your shelf may be cleaned with a mild soap solution in warm water using a soft cloth. For stubborn stains use "Soft Scrub" by Clorox or Lysol "Tub & Tile Cleaner" or a powered detergent such as "Spic-n-Span". Never use abrasive scouring powder or steel wool pads as they will scratch the surface. A periodic coating of a high quality marine or automotive polish will help retain the fine finish.

STEP 1:

Determine desired location of shelf
(NOTE): shelf must not overlap vertical panel seams.

STEP 2:

Hold shelf in place and level as shown in (Fig.1). Draw a light pencil line across the top and sides. These marks will be used to align the shelf during permanent installation.

STEP 3:

Align angle support 3 5/8" from top pencil marks and center between side marks. Be sure angle support is level. Pencil mark both hole locations at this time. Drill a 1/4" dia. hole at each marked location for anchors. (Fig. 2) (Preferably not in any grout areas if applicable) (DO NOT install anchors at this time.)

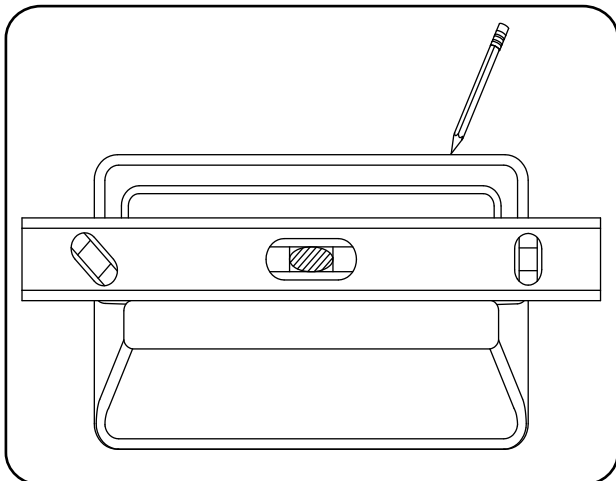


FIG. 1

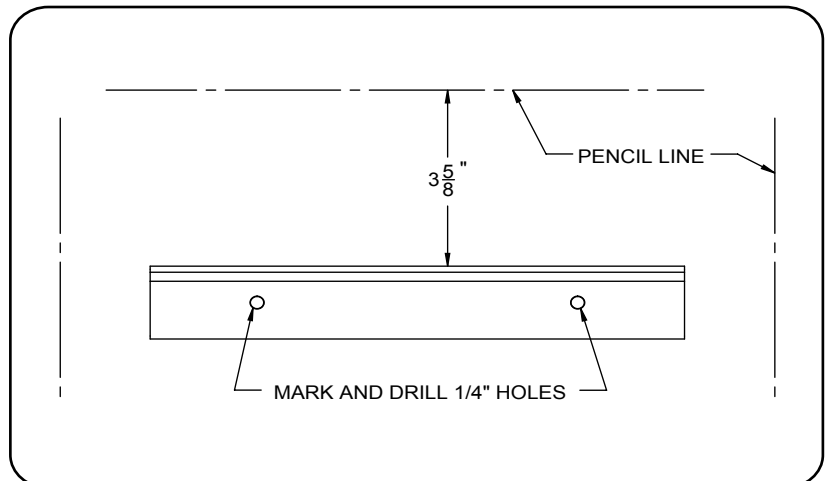


FIG. 2

STEP 4:

Wipe shower wall surface and backside of angle support with rubbing alcohol with clean cloth prior to applying a quality silicone adhesive/sealant to backside of angle support. (Fig. 3)

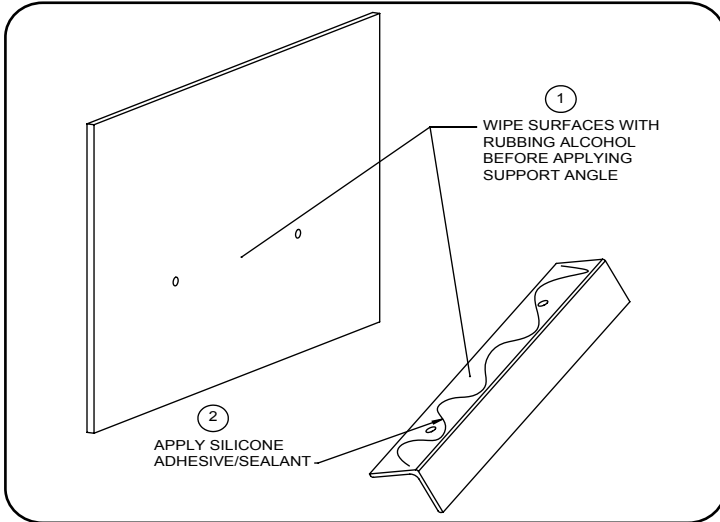


FIG. 3

STEP 5:

Firmly press support angle in place on location of shower wall. While holding the angle support, place the two anchors (provided) into the holes and expand the anchor either by tapping or screwing the center pin. (Fig. 4)

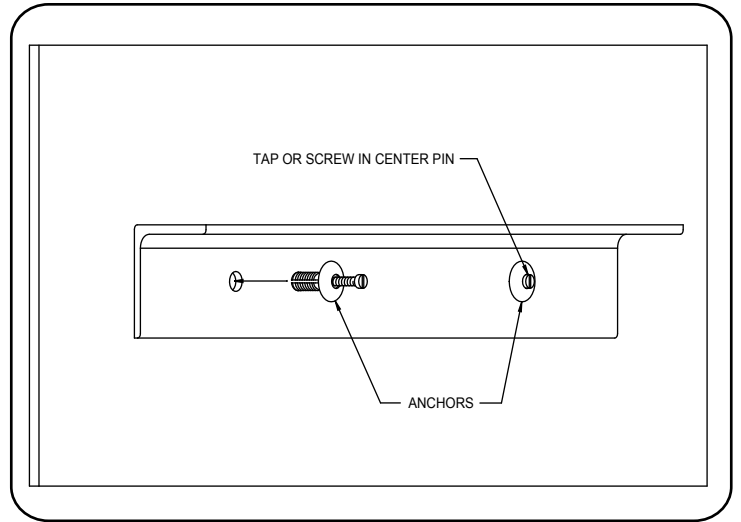


FIG. 4

STEP 6:

Wipe top of angle support and backside of soap shelf with rubbing alcohol with clean cloth prior to applying a quality silicone adhesive/sealant to both the support angle and soap shelf. (Fig. 5)

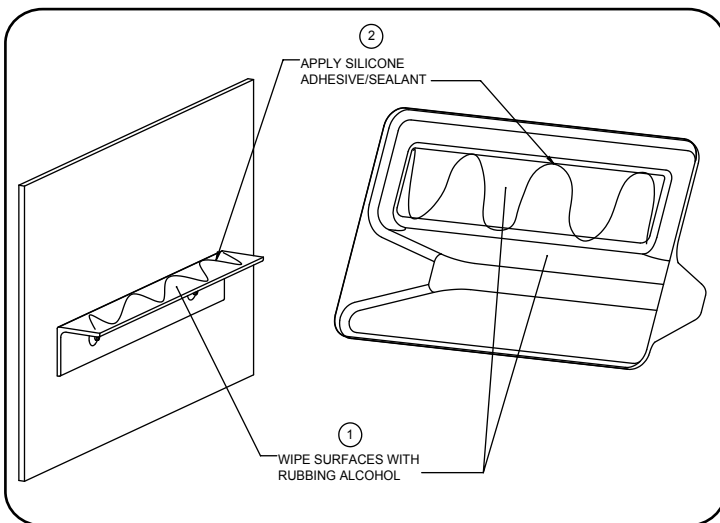


FIG. 5

STEP 7:

Set soap shelf on top of support angle. Using pencil marks made in Step 2 for alignment, press shelf into place and temporarily tape shelf to shower wall to allow adhesive sufficient time to cure per adhesive manufacturer's recommendations. (Fig. 6)

After recommended curing time, remove tape and caulk around entire perimeter of shelf.

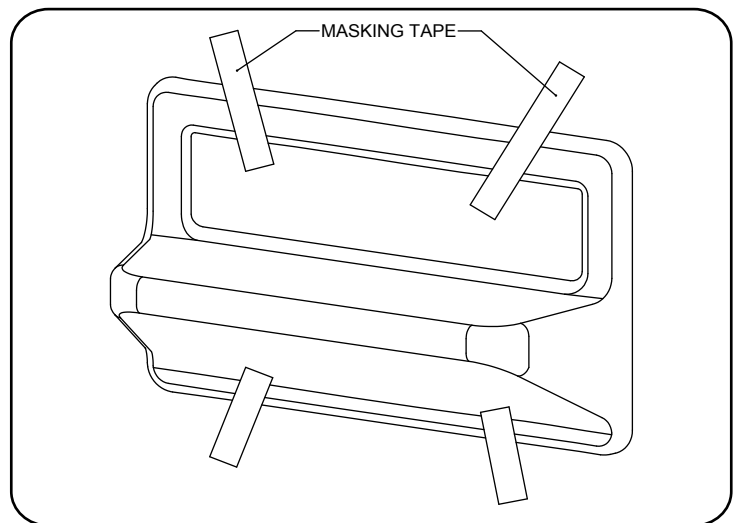


FIG. 6