

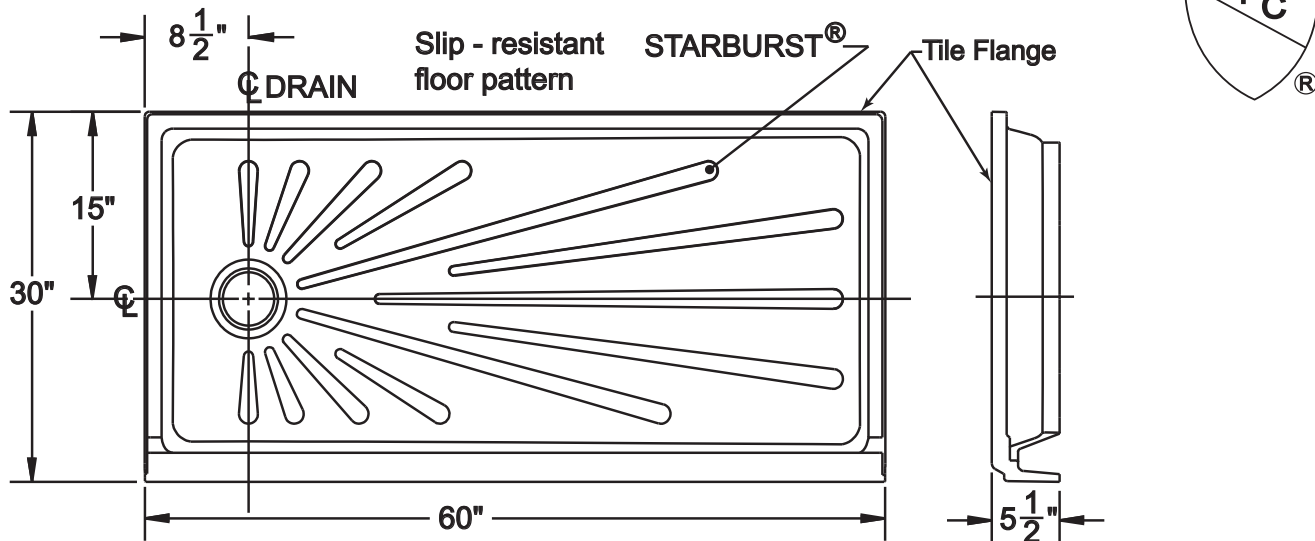
# MUSTEE

# SHOWERTUB™

U.S. PATENT PENDING

## INSTALLATION INSTRUCTIONS

### “ROUGH-IN” DIMENSIONS



• FITS INTO STANDARD 5FT. BATHTUB ALCOVE •

### IMPORTANT NOTES:

- We suggest that shower compartments be equipped with handrails that comply with ANSI-A117.1-1986 Consumer Safety requirements
- SHOWERTUB™ IS NOT TO BE INSTALLED IN FRONT OF DRYWALL
- Thoroughly READ and UNDERSTAND instructions before beginning installation of your MUSTEE ShowerTub™

### DRAIN OPTIONS

The ShowerTub™ is designed to connect to a 2" nominal pipe or 1 1/2" tub waste, connected to a trapped/vented sanitary waste line. Refer to "Rough-In Dimensions" for proper placement and drain center lines.

Mustee drain options are (order separately) as follows:

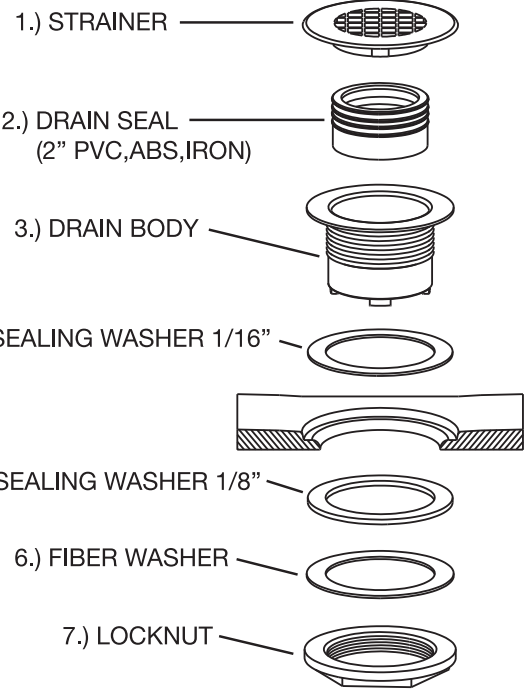
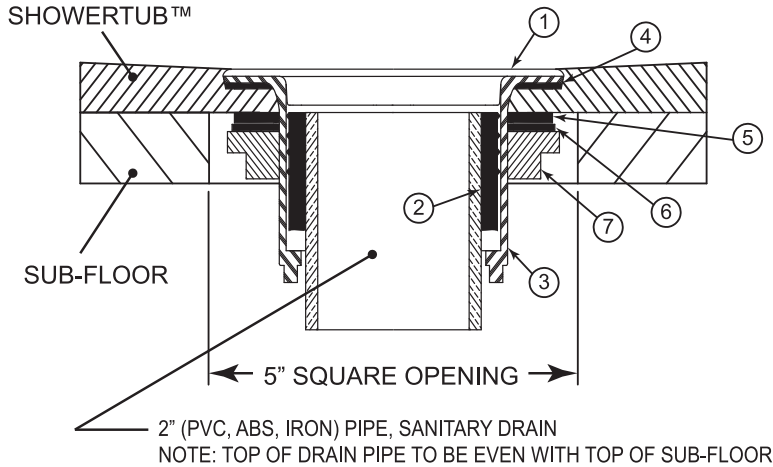
1.) 42.317A for 2" schedule 40 ABS, PVC or Iron pipe with drain seal connection.

2.) 60.300A (White) or 60.300ABN (Bone) Drain Kit for connection with 1 1/2" or 2" DWV or soil pipe connection.

Before connecting either option, check to be sure that you are in full compliance with local code regulations.

## PN 42.317A DRAIN CONNECTION FOR 1 1/2" OR 2" PIPE

CAUTION: DO NOT use any putty or thread sealing compound under flange or on threads of drain body - failure and leakage may result!! DO NOT overtighten locknut - hand tighten, then wrench an additional 3/4 turn - maximum.

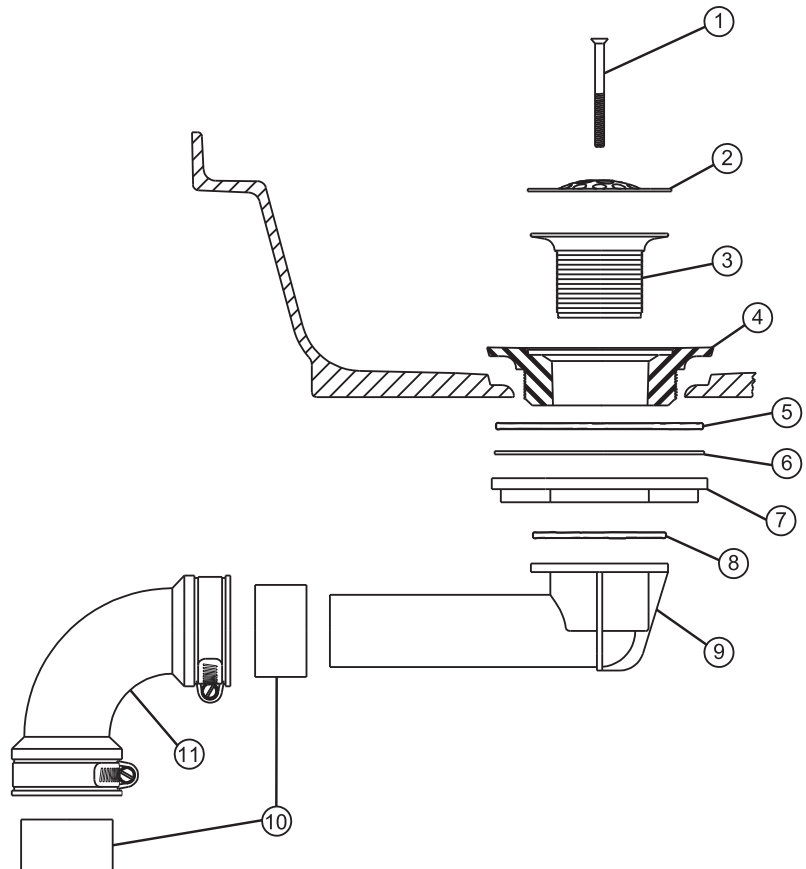


### OPTIONAL DRAIN SEALS (Each Sold Separately)

- 42.320 - 2" COPPER (DWV)
- 42.321 - 2" SOIL PIPE (SW) NO HUB
- 42.330 - 1 1/2" PVC,ABS,IRON

## PN 60.300A / 60.300ABN DRAIN CONNECTION FOR 1 1/2" or 2" PIPE

- 1.) STRAINER RETAINING SCREW
- 2.) STRAINER
- 3.) DRAIN BODY
- 4.) DRAIN ADAPTER TOP FLANGE
- 5.) SEALING WASHER
- 6.) FRICTION WASHER
- 7.) LOCKNUT
- 8.) SEALING WASHER
- 9.) DRAIN ELL & TUBE
- 10.) BUSHING FOR 1 1/2" TUBULAR PIPE (2)
- 11.) 2" - 90 DEGREE RUBBER ELBOW



## **INSTALLING DRAIN**

The size and style of the drain must be determined before installation of the ShowerTub™ can begin. The PN 42.317A Drain Assembly requires a 5" (inch) square opening in the sub-floor or slab, centered on the sanitary waste pipe.

The drain kits model 42.317A or 60.300A & 60.300ABN must be assembled to the ShowerTub™ floor before installing into alcove. Be sure that all washers are installed with drain assembly. Complete installation instructions are furnished with kit.

## **NEW CONSTRUCTION**

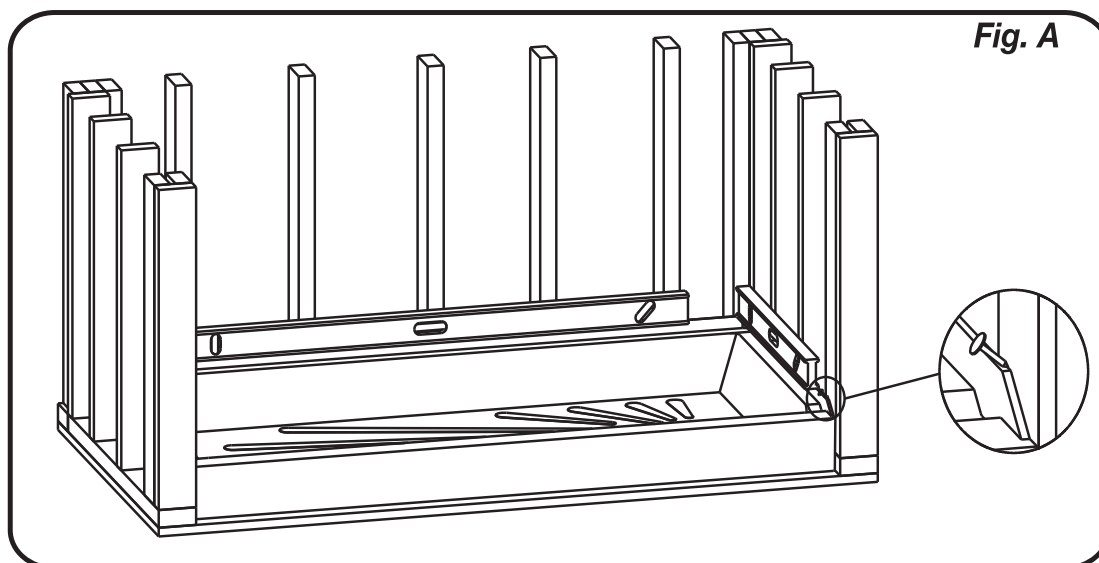
The ShowerTub™ MUST NOT be installed on exposed floor joists, if there is no sub-floor at the desired location, a one piece section of CDX sheathing - minimum 3/4" thick, must be securely fastened to the floor joists so that the ShowerTub™ is fully supported. HINT: To reduce creaking or squeaks we suggest that "deck" type screws (3" min. length) along with adhesive be used to secure the sub-floor to the floor joists.

## **REMODELING**

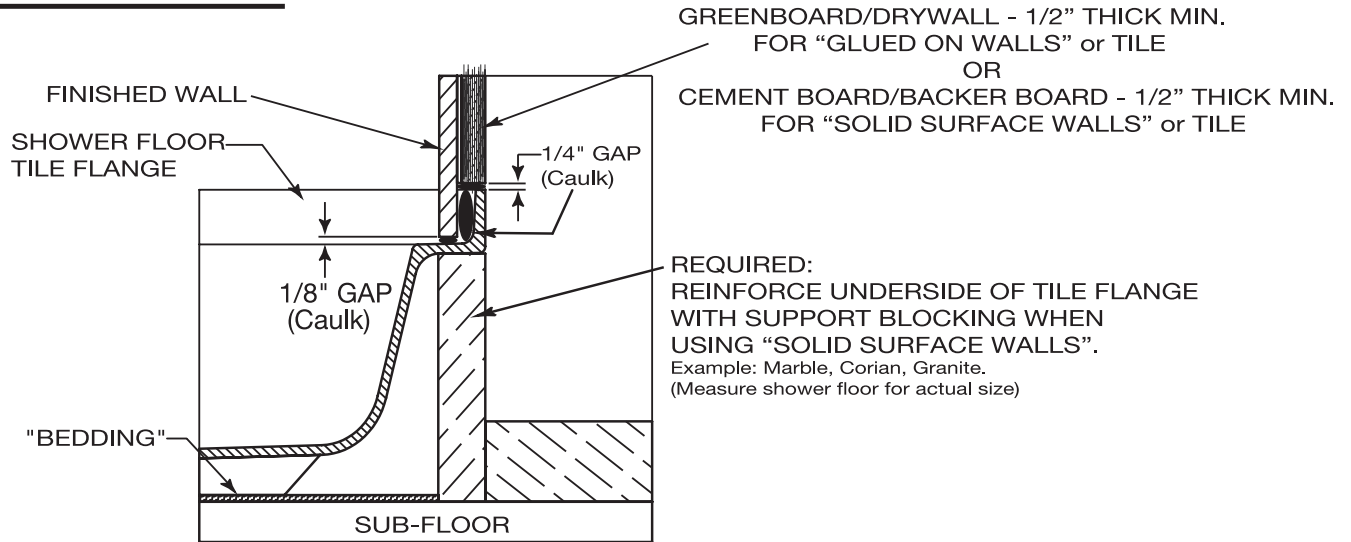
Remove existing bathtub from alcove, inspect condition of sub-floor for damage, if necessary, replace the existing sub-floor with CDX sheathing as described under NEW CONSTRUCTION.

## **SETTING SHOWERTUB™**

- A. For either NEW CONSTRUCTION or REMODELING, while a mortar bed is not required for structural support, a thin layer will aid in the leveling of the ShowerTub™ and help ensure that all ribs are fully supported.
- B. If you choose not to use mortar, a layer of 30 lb. roofing felt (or equivalent) should be used to compensate for any minor inconsistencies in the sub-floor or slab.
- C. Set ShowerTub™ into alcove, making sure that it is properly level. Check level on the edge of the tile flange only - all other surfaces are tapered. See Fig.A
- D. Once the ShowerTub™ is positioned, it can be retained in the alcove by installing large headed roofing nails over the tile flange on each stud as shown in Fig.A, or pre-drill 1/8" diameter holes in tile flange and secure to studs with deck screws. Place a dab of silicone in pre-drilled holes before installing screws. Do not over tighten screws as tile flange will not flex. Shims may be needed to fill any gaps between studs and tile flange.
- E. Make final drain connections as previously determined.



## FINISHED WALL DETAIL

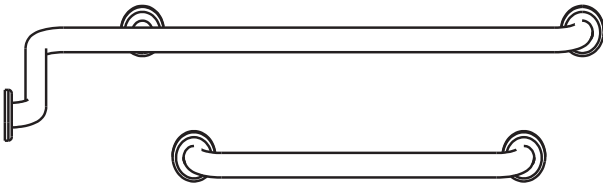


## CARE AND CLEANING INSTRUCTIONS

The surface of your ShowerTub™ may be cleaned with a mild soap solution in warm water using a soft cloth. For stubborn stains use "Soft-Scrub" by Clorox or Lysol "Tub & Tile Cleaner" or a powdered detergent such as "Spic-n-Span". Do not allow cleaners to sit and soak on the surface. Wipe surface clean and rinse completely with water immediately after cleaner application. Rinse and dry overspray on nearby surfaces. Never use abrasive scouring powder or steel wool pads as they will dull and scratch the surface.

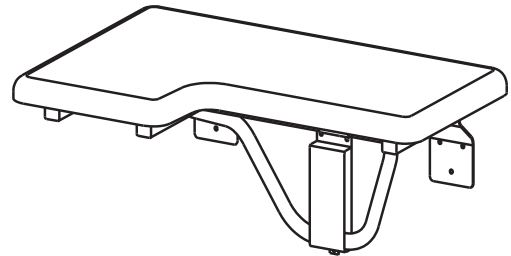
## SAFETY GRAB BARS & SHOWER SEAT ACCESSORIES

**Stainless Steel Grab Bars** - Straight and inside corner (L-shape) grab bars are concealed-flange type and made with tough 18-gauge 1 1/2" diameter stainless steel tubing, satin finish.



Part No.	Size	Type
390.301	24"	Straight
390.302	48"	Straight
390.303	20"x42"	L-Shape

**Pull-Down Shower Seats** - Strong, durable, white pull-down seats made with 18-gauge stainless steel tubing (satin finish) and comfortably padded with non-corded edges. Available for either right or left side installations.



Part No.	Size	Type
390.401	26"	Right
390.402	26"	Left