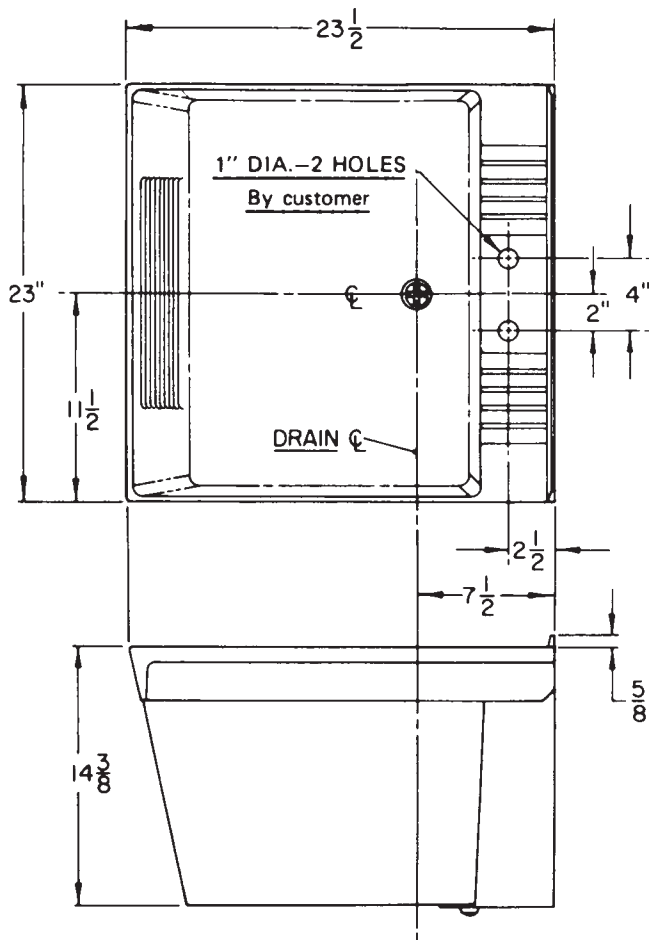
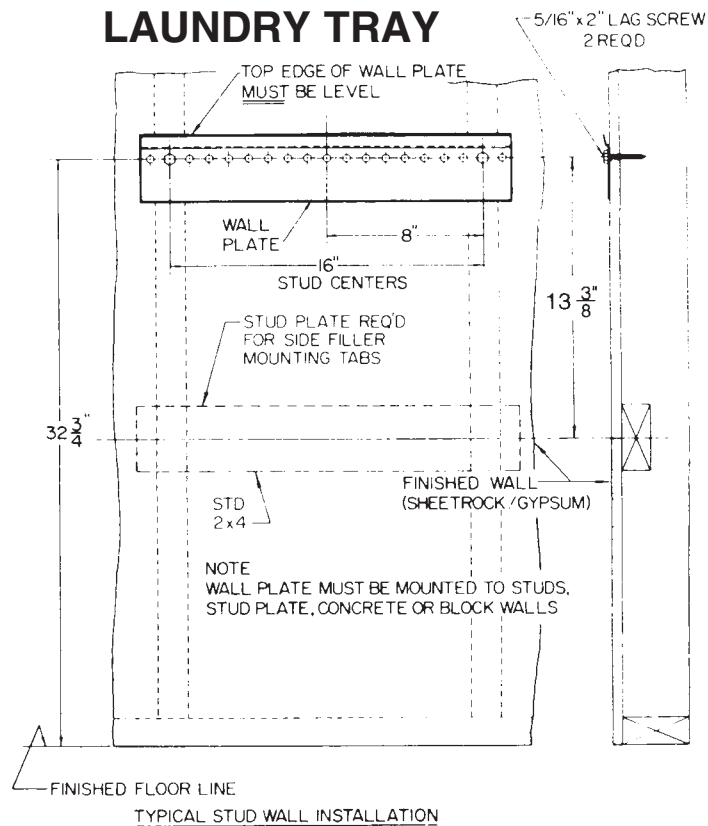


# MUSTEE



# MODEL 15W (15WK) WALL MOUNTED LAUNDRY TRAY



1. Secure **Wall Plate** to wall using both 5/16" x 2" **Lag Screws**. Locate mounting holes 1-1/2" below desired tray height as measured from top edge of rim.

#### Hole Size:

Wood Walls (open stud) – Drill 3/16" diameter holes into wall studs or plate.

Cement/Masonry Walls – Drill 3/8" diameter holes for 5/16" plastic anchors.

Check level, tighten securely.

2. Turn **Laundry Tray** upside down on a smooth, clean surface to allow for the removal of the 1" (inch) dia. faucet hole plugs which are located on 4" (inch) centers. Be sure to allow for rear ledge overhang – approx. 5/8". This will give more support to the ledge area. The hole plugs may be removed by punching out, using a 3/4" (inch) pipe nipple with one end chamfered to ease cutting or by drilling with a 1" (inch) diameter hole saw.
3. Assemble **Molded Side Fillers** – insert tab between lugs under rear ledge. Position bottom plate over molded lug. Insert 1/4" x 3/4" **Drive Rivet** into lug hole, two rivets per side filler. Hammer to lock in place.
4. Mount faucet (not furnished) on tray. Faucet holes are on 4" (inch) centers. If "clamp-on" style faucet is preferred – optional faucet block Part No. 20.600 is available.
5. Mark location of molded side filler mounting tab holes. Remove **Laundry Tray** and follow anchoring procedures as outlined in Step 1. Reinstall **Laundry Tray**. Be sure to use the 5/16" dia. Flat Washers under the heads of the 5/16" Lag Screws. The washers will keep the Lag Screws from digging into and possibly damaging the side filler tab.
6. Make final plumbing connections in compliance with local code regulations.

## E.L. MUSTEE & SONS, INC.

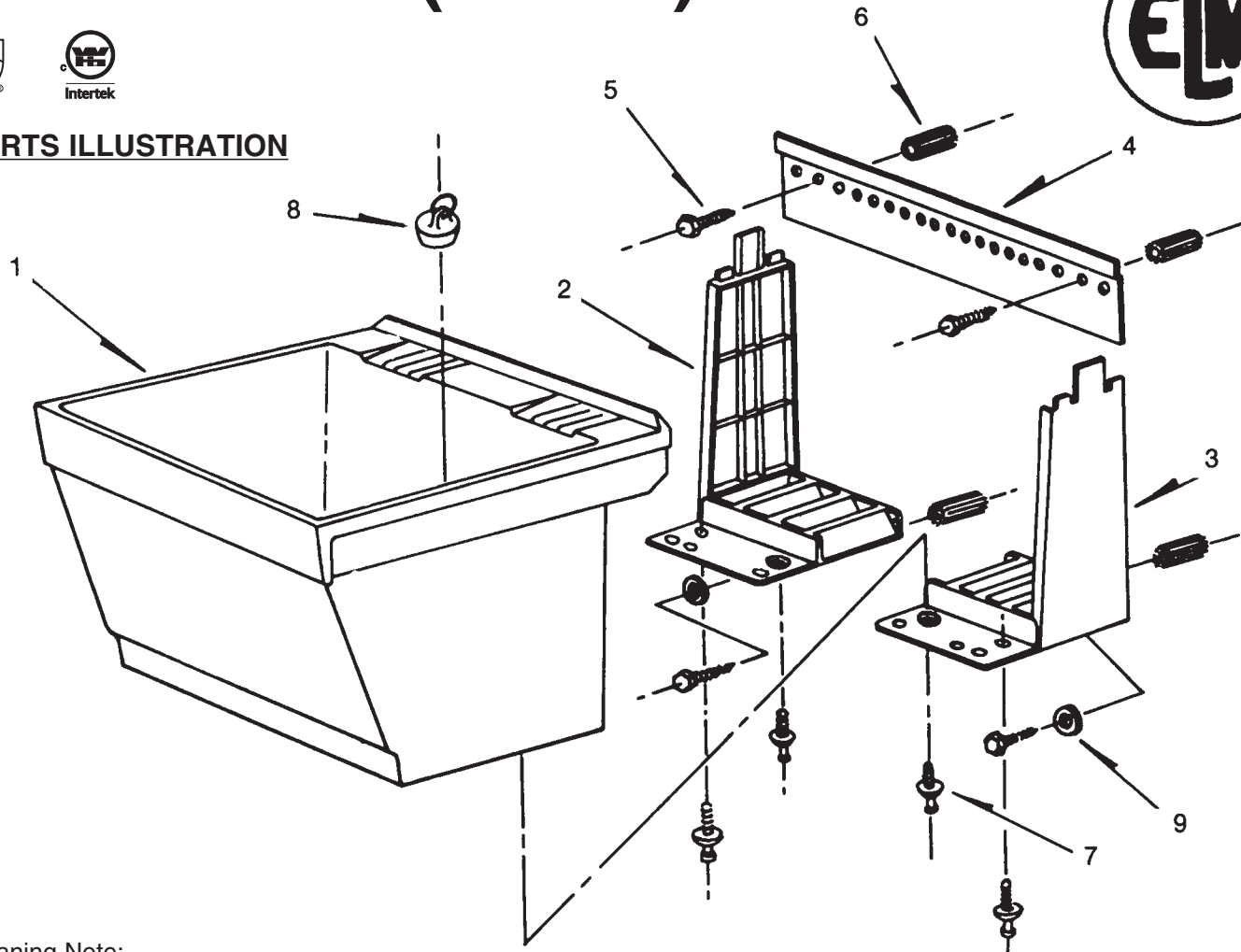
5431 West 164th Street • Brook Park, Ohio 44142

SI-140 (05•14)

# MODEL 15W (15WK)



## PARTS ILLUSTRATION



### Cleaning Note:

Most stains that you may acquire in your **Model 15W Laundry Tray** may be removed with common household cleanser or liquid cleaner. Stubborn stains may be removed with a bleach solution – follow bleach manufacturer’s recommended procedures pertaining to safety, handling and use of their product.

### PARTS LIST

KEY NO.	PART NO.	DESCRIPTION
1	15.101	Single Compartment Laundry Tray
2	19.203	Molded Side Filler – Left Hand
3	19.202	Molded Side Filler – Right Hand
4	18.201	Wall Plate
5	*	Lag Screw, 5/16" x 2" (4 Required)
6	*	Anchor, Plastic, 5/16" (4 Required)
7	*	Drive Rivet – 1/4" Dia. x 3/4" Lg. (4 Required)
8	*	Stopper – 1-1/2" Diameter
9	*	5/16" Flat Washer (2 Required)
10	*	1-1/2" Tailpiece Washer (Not Shown)
11	*	1-1/2" Thrd. Slip Nut (Not Shown)

### NOTE:

Any type of transfer or sump pump must be supported by the floor or wall plus appropriate bracing for the waste lines. **DO NOT RELY SOLELY ON THE 1/2" MOLDED DRAIN CONNECTION.**

\*NOTE: FOR REPLACEMENT HARDWARE, ORDER COMPLETE PARTS PACKAGE PART NO. 19.601 PACKAGES WILL NOT BE SPLIT FOR INDIVIDUAL PARTS.

## E.L. MUSTEE & SONS, INC.

5431 West 164th Street • Brook Park, Ohio 44142

SI-140 (05•14)