



MUSTEE
MODEL 17W (17WK)
WALL MOUNTED LAUNDRY TRAY
 Made with extra-tough Durastone™



1. Fasten Wall Plate to wall using two 5/16" x 2" Lag Screws provided. Locate mounting holes 1-1/2" below desired Laundry Tray height – add 5/8" for rear splash flange (locating wall plate as shown) positions front rim edge of Laundry Tray approximately 34" above floor line;

Hole size:

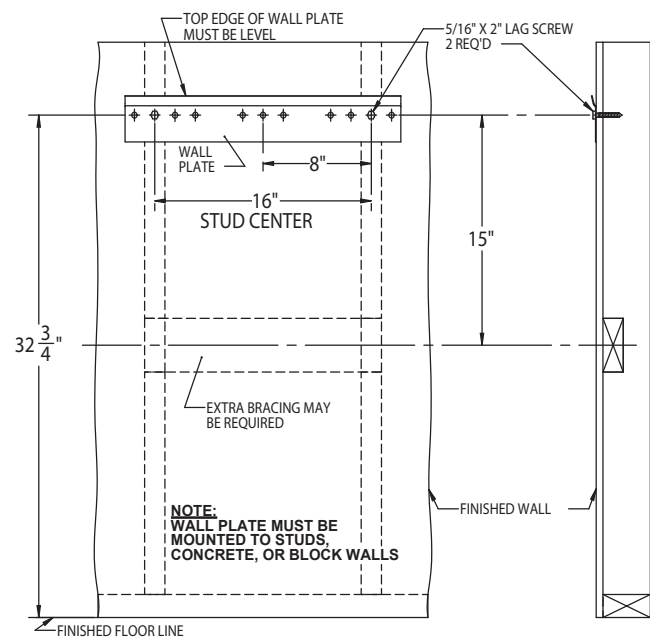
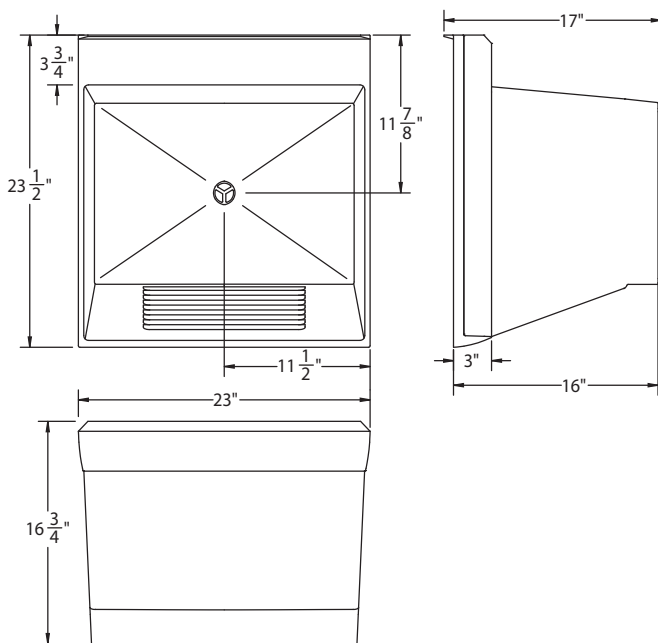
Wood walls – Drill 3/16" diameter holes in wall studs. Extra bracing may be required for mounting tab holes.

Cement/Masonry Walls – Drill 3/8" diameter holes for Anchors provided.

See "Typical Stud Wall Installation".

2. Turn Laundry Tray upside down on clean, smooth surface. Attach Molded Side Fillers – insert tab into slot under rear ledge. Position bottom plate on molded lug of Laundry Tray. Insert Drive Rivets into each hole – two required per side. Hammer to lock in place. Turn upright.
3. Drill out faucet holes using a 1" diameter, fine tooth hole saw with center drill pilot.
4. Place rear ledge of Laundry Tray into wall plate and apply downward pressure to seat.
5. Mark location of each molded side filler mounting tab hole. Remove Laundry Tray and follow anchoring procedures as outlined in Step 1. Reinstall Laundry Tray. Be sure to use the 5/16" diameter Flat Washers under the heads of the mounting tab lag screws (the washers will keep the lag screws from digging into and possibly damaging the side filler tab).
6. Make drain connection in full compliance with local code regulations, mount faucet (not furnished) and make water supply connections.

ROUGH IN DIMENSIONS:



TYPICAL STUD WALL INSTALLATION

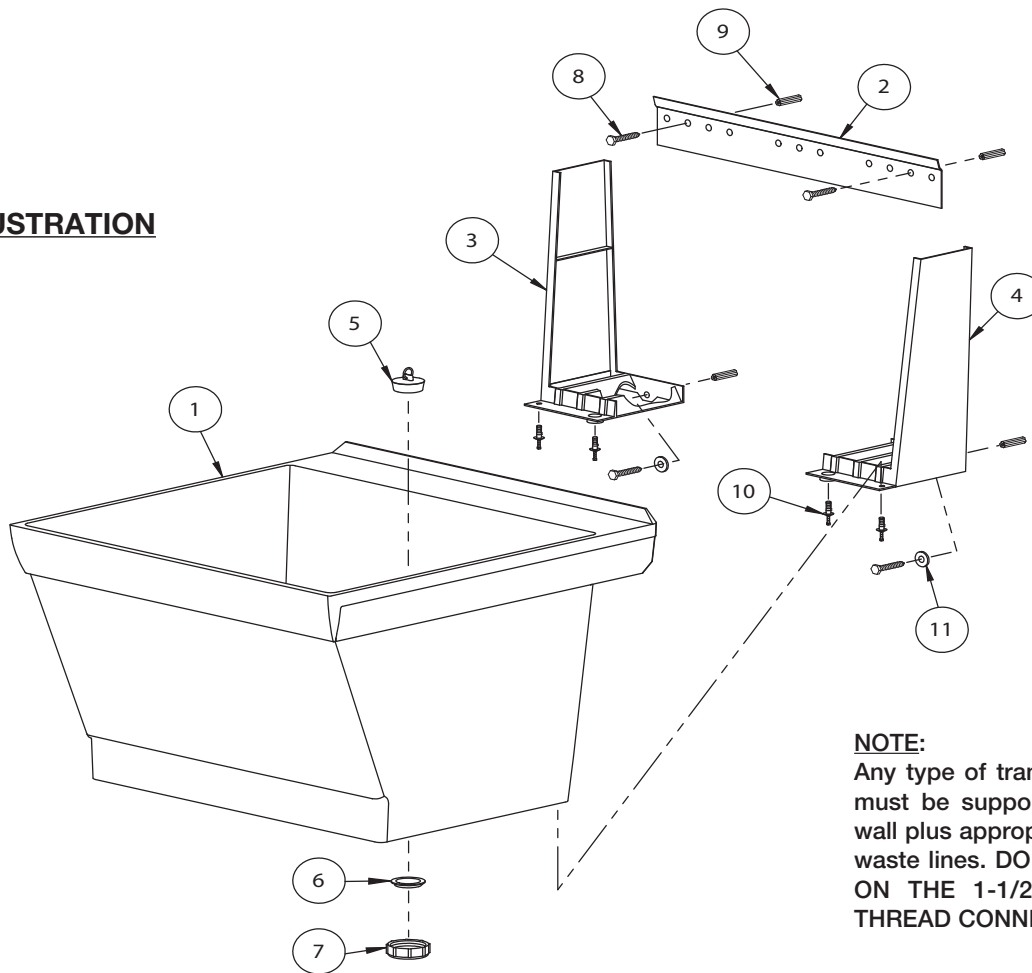


MUSTEE

MODEL 17W (17WK)

WALL MOUNTED LAUNDRY TRAY

PARTS ILLUSTRATION



NOTE:

Any type of transfer or sump pump must be supported by the floor or wall plus appropriate bracing for the waste lines. **DO NOT RELY SOLELY ON THE 1-1/2" MOLDED DRAIN THREAD CONNECTION.**

Cleaning Note:

Most stains that you may acquire in your **Model 17W Laundry Tray** may be removed with common household cleanser or liquid cleaner. Stubborn stains may be removed with a bleach solution – follow bleach manufacturer’s recommended procedures pertaining to safety, handling and use of their product.

KEY NO.	PART NO.	DESCRIPTION
1	17.102	Laundry Tray
2	17.203	Wall Plate
3	17.207	Molded Side Filler - Left Hand
4	17.206	Molded Side Filler - Right Hand
5	*	Stopper - 1-1/2" Diameter
6	*	Slip Nut Washer - 1-1/2" Diameter
7	*	Slip Nut - 1-1/2" Thrd.
8	*	Lag Screw - 5/16" x 2" (4 Required)
9	*	Plastic Wall Anchor - 5/16" (4 Required)
10	*	Drive Rivet - 1/4" Dia. 3/4" Lg. (4 Required)
11	*	Flat Washer - 5/16" (2 Required)

*NOTE: FOR REPLACEMENT HARDWARE, ORDER COMPLETE PARTS PACKAGE PART NO. 19.601. PACKAGES WILL NOT BE SPLIT FOR INDIVIDUAL PARTS.