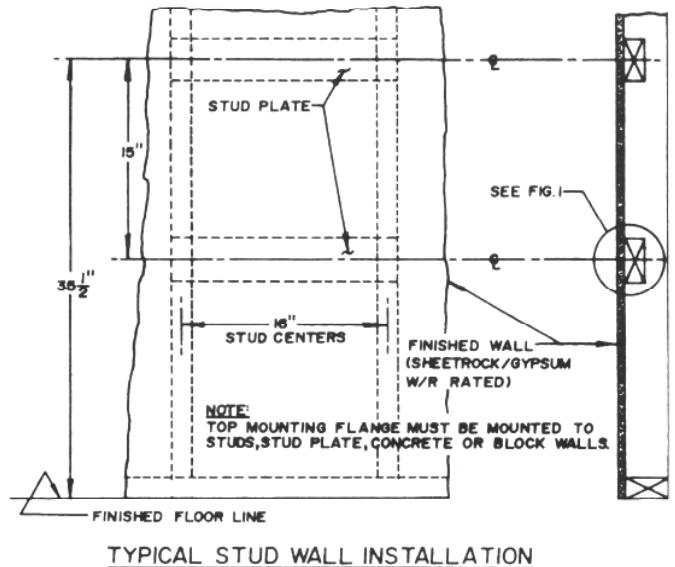
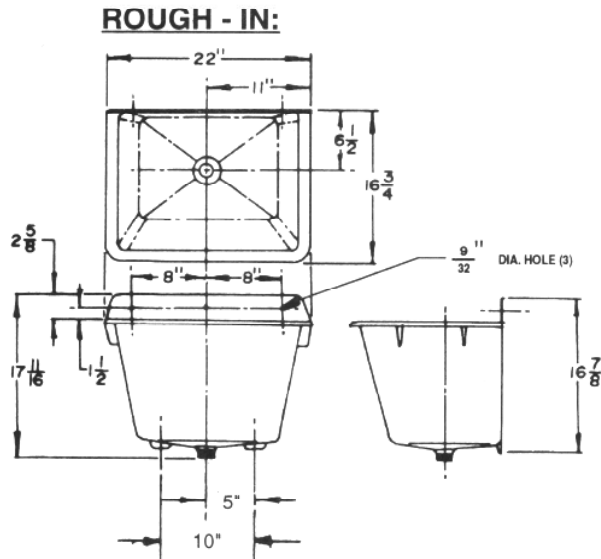


# MUSTEE UTILITY WALL SINK

## MODEL 16

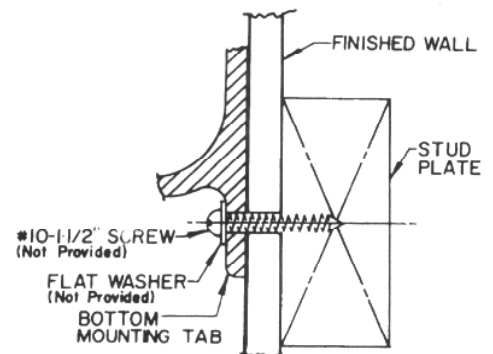
### INSTALLATION INSTRUCTIONS



1. Position tray on wall with mounting holes located approximately 35 1/2" above the floor (Refer to rough-in illustrations above).
2. Making sure tray is level, mark the location of the 3 mounting flange holes onto the wall. Using these marks as guides, drill pilot holes to accept 1/4" x 2" lag screws (not provided).  
NOTE: If installing into cement/masonry walls, use plastic wall anchors.
3. Using three (3) 1/4" x 2" lag screws (not provided), securely fasten tray to wall thru rear mounting flange. Use 1/4" dia. flat washers under the heads of the lag screws to prevent damaging the surface of the tray.
4. For additional structural support, the two bottom mounting tabs may be used to further secure the tray as shown in FIG. 1.
5. Make final plumbing connections in compliance with local code requirements.

#### **CLEANING NOTE:**

Most stains that you may acquire in your Model 16 Laundry Tray may be removed with common household cleaner or liquid cleanser. Stubborn stains may be removed with a bleach solution—follow bleach manufacturers recommended procedures pertaining to safety, handling and use of their product.



**FIG. 1**